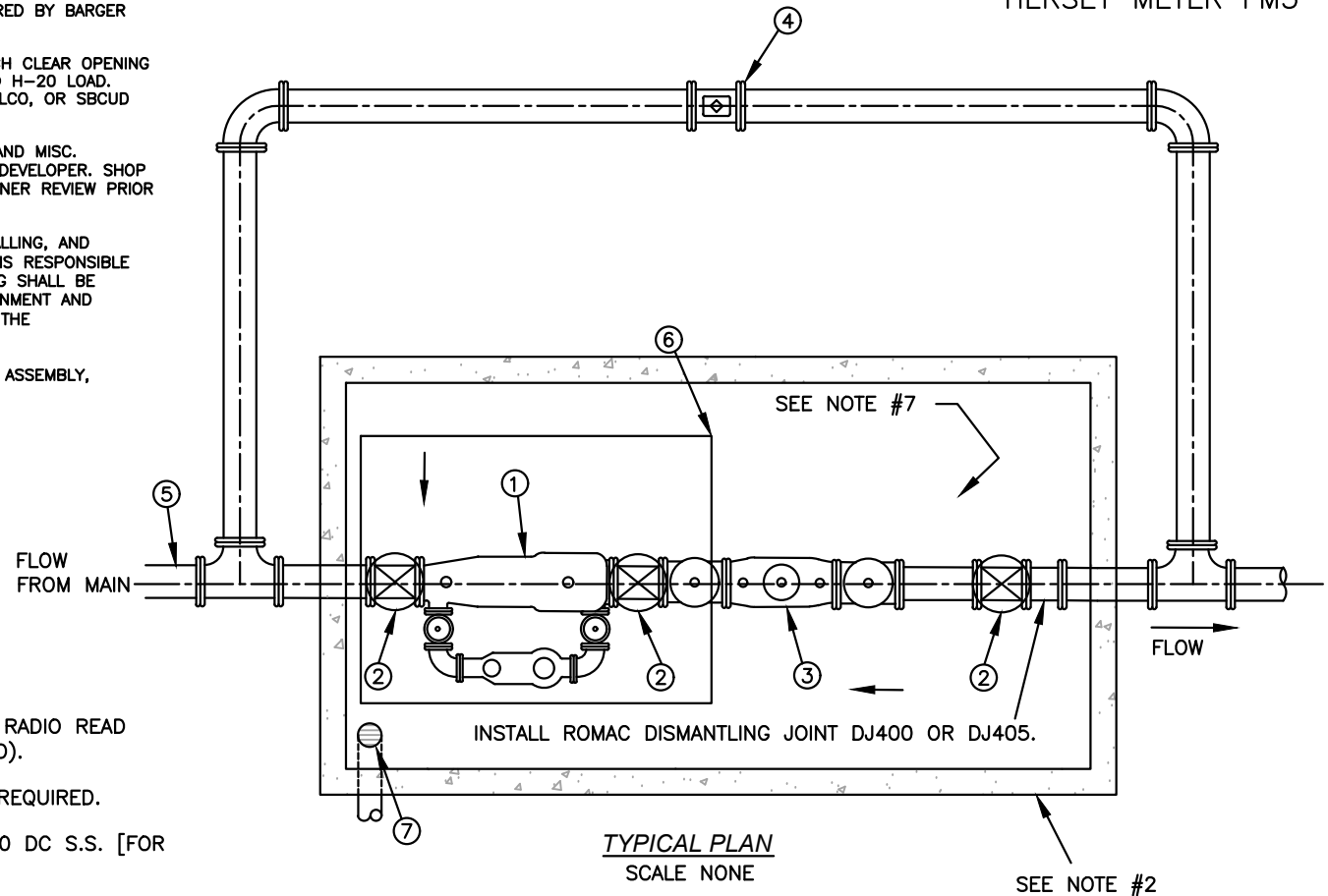


1. ALL PIPING TO HAVE A MIN. 12" CLEARANCE ABOVE FLOOR, 24" ON SIDES, & 12" ON TOP (12" FROM TOP OF VALVE STEM TO UNDERSIDE OF LID).
2. METER VAULT SHALL BE PRECAST CONCRETE AS MANUFACTURED BY BARGER AND SONS, SHERMAN DIXIE, OR SBCUD APPROVED EQUAL.
3. ACCESS INTO VAULT SHALL BE THROUGH 42-INCH X 42-INCH CLEAR OPENING WITH ALUMINUM HATCH. HATCH SHALL BE RATED FOR AASHTO H-20 LOAD. HATCH SHALL BE MANUFACTURED BY HALLIDAY PRODUCTS, BILCO, OR SBCUD APPROVED EQUAL.
4. ALL PIPING, METER, VALVES, FITTINGS, VAULT ACCESSORIES, AND MISC. MATERIALS SHALL BE FURNISHED AND INSTALLED BY OWNER/DEVELOPER. SHOP DRAWINGS FOR ALL MATERIALS SHALL BE SUBMITTED FOR OWNER REVIEW PRIOR TO CONSTRUCTION.
5. OWNER/DEVELOPER IS RESPONSIBLE FOR PURCHASING, INSTALLING, AND MAINTAINING THE BACKFLOW PREVENTER. OWNER/DEVELOPER IS RESPONSIBLE FOR ANNUAL TESTING OF THE BACKFLOW PREVENTER. TESTING SHALL BE PERFORMED BY A TDEC (TENNESSEE DEPARTMENT OF ENVIRONMENT AND CONSERVATION) CERTIFIED TESTER. THE COST OF TESTING IS THE RESPONSIBILITY OF THE OWNER/DEVELOPER.
6. FURNISH AND INSTALL SOLID CONCRETE BLOCK TO SUPPORT ASSEMBLY, MINIMUM 4 PLACES.
7. SLOPE FLOOR TO DRAIN. $\frac{1}{8}$ " PER FT. (MINIMUM)

METER TYPE
HERSEY METER FM3



MATERIALS SCHEDULE

- ① MUELLER SYSTEMS' HERSEY FM3 WITH BYPASS, RADIO READ FIRE METER (COMPOUND FIRE METER) (HOT ROD).
- ② NORMALLY OPEN GATE VALVE, STEM INDICATOR REQUIRED.
- ③ DOUBLE CHECK VALVE ASS'Y. AMES MODEL 2000 DC S.S. [FOR FIRE PROTECTION SYSTEMS].
- ④ NORMALLY CLOSED GATE VALVE.
- ⑤ WATER SUPPLY FROM SYSTEM DISTRIBUTION.
- ⑥ 42"X42" DOOR OPENING ABOVE W/LADDER. ALUM. DOOR BY HALLIDAY PRODUCTS, BILCO OR SBCUD APPROVED EQUAL.
- ⑦ 4" DIAMETER FLOOR DRAIN. EXTEND 4" DI TO DAYLIGHT. INSTALL FLAP VALVE ON END OF PIPE.
- ⑧ ALL PIPING AND FITTINGS SHALL BE DUCTILE IRON.

TYPICAL DETAIL
South Blount Count Utility District
INDUSTRIAL/COMMERCIAL METER PIT
(DOMESTIC AND FIREMAIN SERVICE)

Project 216.057	Proj. Mgr.	Designed By	Drawn By	Reference
Date 8/27/15				
Scale N.T.S.				
Sheet				
2 of 3	⚠	General Revision	7/29/19	
No.		Revision/Issue	Date	

FIRE SERVICE PIT DETAIL

808 WEST LAMAR ALEXANDER PARKWAY
MARYVILLE, TN 37801
OFFICE: 865.982.3560
www.southblountutility.org